

Viftens deler:

1. Vegggramme med lokk. Med integrerte tetninger.
2. Motorenhet med bajonettfatning og avtagbart viftehjul.
3. Multifunksjonsvelger.
4. Dreibar dekkplate.
5. Bevegelsessensor (bevegelse og lys).
6. Selvregulerende fuktstyring. Termostat.
7. Selvkalibrerende motor. Sikrer riktig luftmengde.
8. Innebygd allpolet bryter.
9. Stuss for tilkobling til kanal Ø100 mm.

Emballasjen inneholder:

- 1 stk. Pro7 baderomsvifte
- 3 stk. Skruer til feste av vegggrammen på vegg eller i tak
- 1 stk. Miniskrutrekker (for skifte av funksjoner)
- 1 stk. Bruker- og monteringsveiledning

Fläktens delar:

1. Väggram med lock. Med integrerade tätningar.
2. Motorenhet med bajonettfattning och löstagbart fläkthjul.
3. Multifunktionsväljare.
4. Vridbart täcklock.
5. Närvarosensor (rörelse (IR) och ljus).
6. Självjusterande fuktstyrning. Termostat.
7. Självkalibrerande motor. Säkerställer rätt flöde.
8. Inbyggd allpolig brytare.
9. Stos för anslutning till kanal Ø100 mm.

Förpackningen innehåller:

- 1 st Pro7 badrumsfläkt
- 3 st Skruvar för fastsättning av väggrammen (vägg eller tak)
- 1 st Mini-skruvmejsel (för byte av funktionsläge)
- 1 st Bruks- och monteringsanvisning

Puhaltimen osat:

1. Lukittava kehikko. Tiivisteet asennettuina valmiiksi paikoilleen.
2. Moottori, jossa bajonetti-kiinnitys ja irrotettava siipiosa.
3. Monitoimi-valitsin.
4. Kierrettävä peitelevy.
5. Läsnaolotunnistin Liike- ja valotunnistin.
6. Itsesäätävä kosteusanturi. Termostaatti.
7. Itseohjautuva moottori. Varmistaa oikean ilmavirran.
8. Sisäänrakennettu kaikkinaipainen katkaisija.
9. Läpivienti Ø100 mm.

Pakkaus sisältää:

- 1 kpl Kylpyhuonepuhallin Pro7.
- 3 kpl Ruuveja seinäkehikon asen tamiseksi seinään tai kat toon
- 1 kpl Pienoisruuvimeisseli puhallinohjelman valintaan
- 1 kpl Käyttö- ja asennusohje

Parts:

1. Wall frame with cover. With integral gaskets.
2. Motor unit with bayonet mount and removable impeller.
3. Multi-function selector.
4. Twistable cover.
5. Motion sensor (motion (IR) and light).
6. Self-adjusting humidity control. Thermostat.
7. Self-calibrating motor ensures correct flow.
8. Integrated all-pole switch.
9. Spigot for duct connection Ø100 mm.

Package includes:

- 1 pc Pro7 bathroom fan
- 3 pcs Screws for fixing the wall frame to the wall or ceiling
- 1 pc Mini screwdriver (for changing the mode)
- 1 pc User and Installation manual

Important!

Read these instructions carefully before use. The fan is designed for permanent installation and must be installed by a qualified electrician.

Under standard EN 60335, the following must be observed. This device may be used by persons from eight years upwards and by persons with reduced physical or mental capacity or who lack experience and knowledge, providing they have received

guidance or been instructed in the safe use of the device and understand the risks involved. Children must not be allowed to play with the device. Cleaning and maintenance must not be carried out by unsupervised children. Precautions must be taken to avoid the back-flow of gasses into the room from the open flue of gas or other fuel-burning appliances (for duct and partition fans).

Thank you for choosing a quality product from Flexit!

We hope you will be fully satisfied with your new Pro7 fan for many years to come. For your safety, every product has been individually function tested before leaving our production facility.

Pro7 - all in one

Pro7 is a multi-function fan, developed and manufactured in Sweden, for installation as a bathroom fan (with eight different ventilation options), or as an energy saving heat transfer unit. Its unique multifunction selector makes it easy to switch between functions. Just lift the cover. Select a function. Ready to go!

Bathroom fan (with eight optional ventilation solutions)

Pro7 has eight different selectable operating functions, for performing air extraction in all homes with natural ventilation. It has been designed and approved for installation in wet rooms (IP44) such as WCs, bathrooms and utility rooms. For mounting on wall or in ceiling. Ducting (Ø100 or 125 mm), outer louvre/grille/cowl/back draught shutter are delivered separately. See Flexit accessories.

Heat Mover – save energy

Pro7 has an integral electronic thermostat allowing the fan to transfer surplus heat from, e.g. a fireplace, to an adjacent room. The fan is mounted on a partition wall or between floors (wall/floor penetrations Ø100 or 125 mm). See Flexit accessories.

Supply air

For good home ventilation you need to ensure that:

- air can reach the wet room e.g. via a gap in the door or a through a ventilation valve.
- fresh air enters the home via ventilation valves in bedrooms and living rooms.

Installation

See pictures on page 4.

1. Preparations

The motor unit has a unique bayonet connection for ease of removal and replacement in case of installation, change of function and cleaning.

- a) Lightly grasp the spokes and turn anti-clockwise.
Lift the motor unit out of the wall frame.
- b) The wall frame cover is retained by 3 screws.
Untighten these and remove the cover. The screws will be retained by their gaskets and do not need to be fully unscrewed.

2. Gaskets

To avoid water penetrating the fan, the wall frame has several integral gaskets (If necessary, seal with silicone, etc):

- a) on the rear, gasket against the substrate.
- b) by the cable bushing.
- c) by the screw bushing, 3 in total.
Note! Seal any gaps between fan and ventilation duct.

3. Mounting the wall frame

The fan is mounted on the surface on walls or in ceilings. Suitable for Ø100 mm duct, but Ø125 mm can also be used.

- The cable bushing is situated in the top part of the wall frame. Electrical connection can either be performed from the rear (concealed) or from the top (external). Make a hole in the gasket with a pricker or similar sharp tool, see figure 2.
- Position the wall frame so that the cable bushing is uppermost +/-45°.
- Screw the wall frame to the substrate (PH2 x3). Use the Cover Plate accessory, art. no. 115463, if there is not enough space for screw fixing.

Ducts installed in cold areas must be isolated to avoid condensation.

For best result the fan shall be placed as high as possible over the water source / shower head, and with unobstructed area around the fan.

4. Electrical connection

Note! May only be carried out by qualified electrician.

During any electrical work on the fan, the voltage supply must be disconnected. The fan is designed for permanent installation at 230V AC, 50 Hz.

Double insulated, requires no earth.

- a) Connect in phase and neutral on terminal board.
Earth cable can be attached two places:
- b) to the right of the terminal board.
- c) to the right of the cable bushing.

5. Reassemble cover and motor unit

- a) Reassemble the cover on the wall frame (three screws). Be sure that the two 12V pins are in the correct position (rating plate downwards, arrow upwards).
- b) Reassemble and lock the motor unit in the wall frame by turning it clockwise. To locate the correct position for the bayonet mount, the "UP" label on motor unit and wall frame shall match.
- c) The motor unit is correctly mounted, when the two lines by the multi-pole switch is lined up.

6. Activate the fan – All-pole switch

The fan comes with the multi-pole switch in position 0. The fan is activated by setting the switch in position 1. Acc. to the standard for domestic products, EN 60335-1, it must be possible to isolate such products from the electric power supply. This requirement is met with the built-in all-pole switch (2-pole, 3 mm contact gap).

Function description

Continuous basic ventilation (basic airflow)

The fan operates at a constant low speed, 40 m³/h, creating a useful basic ventilation. Pro7 has a self-calibrating motor that prevents backdraughts.

Motion sensor – motion (IR) and light

The motion sensor is activated by motion (IR) or when the lighting is switched on. Delay time 15 minutes.

The fan switches to a medium speed, 60 m³/h, and depending on the choice of function, it starts up:

- directly (positions 1, 2 and 6)
- after a 2.5 minute delay (position 4)

Automatic humidity control

A self-adjusting humidity sensor continuously measures the humidity level in the air. The fan starts up automatically if the humidity level rises rapidly (e.g. in the case of a shower) or if the relative humidity (RH) exceeds 70%. When the humidity level recedes, the fan returns to basic airflow or stops. Depending on the choice of function, the fan will operate at:

- High speed 95 m³/h (positions 1, 3, 4, 6, 8 and 9)
- Maximum speed 110 m³/h (position 2)

Manual start and stop by use of a switch

The fan may be connected for manual start via a separate light/power switch. When the switch is activated, the fan will start up and run at high speed, 95 m³/h. When the switch is turned off, the fan will stop.

Airing function

If the humidity control or motion sensor has not been active for 24 hours, the airing function will start up. The fan will operate at medium speed (60 m³/h) for 30 minutes every 12 hours.

Heat mover, thermostat

The fan will start at 28°C and move the surplus heat to adjacent rooms. The fan turns off at 24°C.

Modes

Pro7 has nine function options. The fan is set to Mode 1 at the factory, which means that it will automatically function at three speeds, see function description below.

Changing the function

Lift the cover and select the desired function manually with the accompanying screwdriver. Ready to go!

It is possible to change function even when the motor unit has been removed from the wall frame.



Modes for continuous basic ventilation

- 1 Fully automatic, three speeds:
Basic flow – low speed 40 m³/h
Motion sensor – medium speed 60 m³/h
Humidity control – high speed 95 m³/h
- 2 As Mode 1, but humidity control is set to max speed 110 m³/h.
- 3 Fully automatic, two speeds:
Basic flow – low speed 40 m³/h
Humidity control – high speed 95 m³/h
- 8 As Mode 3 but basic flow at medium speed 60 m³/h

Positions for occasional ventilation needs

- 4 Autostart motion/light or rising humidity levels.
Motion sensor - medium speed 60 m³/h (the fan starts after a 2.5 minute delay).
Humidity control – high speed 95 m³/h
- 5 Manual start/stop via switch. high speed 95 m³/h.
- 6 Motion sensor – medium speed 60 m³/h
Humidity control – high speed 95 m³/h
Airing function. Autostart if the fan been inactive for more than 24 hrs. Medium speed 30 min every 12 h.
- 9 Only humidity control, high speed 95 m³/h

Heat mover

- 7 Heat transfer unit, thermostat. High speed 95 m³/h
- 0 Not in use

Cleaning

To maintain its function and capacity, the fan must be cleaned at least twice a year, or more often if necessary. No solvents may be used on the fan. The fan must not be submerged in or flushed with water.

- Prior to cleaning: Turn off power to the fan with the integral all-pole switch.
- Lift the motor unit out of the wall frame (see fig. 1a).
- Clean the opening, duct and motor unit with a damp cloth (if necessary a mild detergent may be used).
- The blade may be cleaned as situated. If the blade is very soiled, you can release it by pulling it straight out. It can then be washed and rinsed.
- Make sure that the outer valve/grille is not clogged.
- Mount and lock the motor unit in the wall frame (see fig. 5b).

Environmental product declaration

The product and manufacturing complies with current international environmental regulations such as WEEE and RoHS directive.

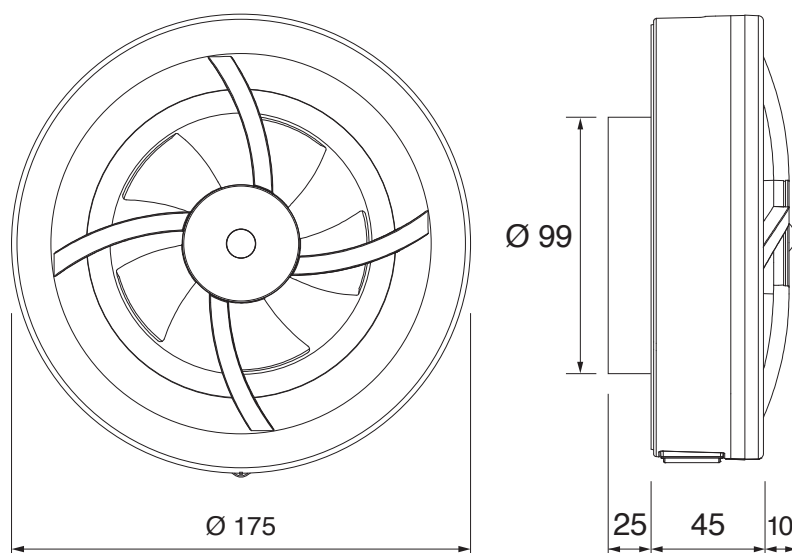


The symbol on the product shows that this product must not be treated as household waste. It must be taken to a reception station for recycling of electric and electronic equipment. By ensuring the correct disposal of the equipment, you will contribute to preventing the negative consequences for the environment and health that incorrect handling may entail. For further information on recycling of this product, please contact your local authority, your waste disposal company or the company from which you purchased it.

Warranty claims on this product are accepted in accordance with the applicable terms of sale, provided that the product is correctly installed, used and maintained.

Technical data

Voltage / frequency	230 V / 50 Hz
Power consumption	3 W
Protection rating	IP 44
Insulation class	Class II
Airflow:	
Minimum speed	40 m ³ /h
Medium speed	60 m ³ /h
High speed	95 m ³ /h
Max speed	110 m ³ /h
Max pressure	48 Pa
Sound pressure	17-25 dB(A) 3m
Weight	0,48 Kg
Ambient temperature	5 - 35°C
Duct	Ø100/125
Placement	Wall and ceiling
Material	Polypropen
Colour	White RAL 9016 Black RAL 9004



Approved for wetroom installation zone 1.
The fan must be mounted as high as possible without the risk of it being exposed to flushing.



Flexit AS, Televeien 15, N-1870 Ørje
www.flexit.no